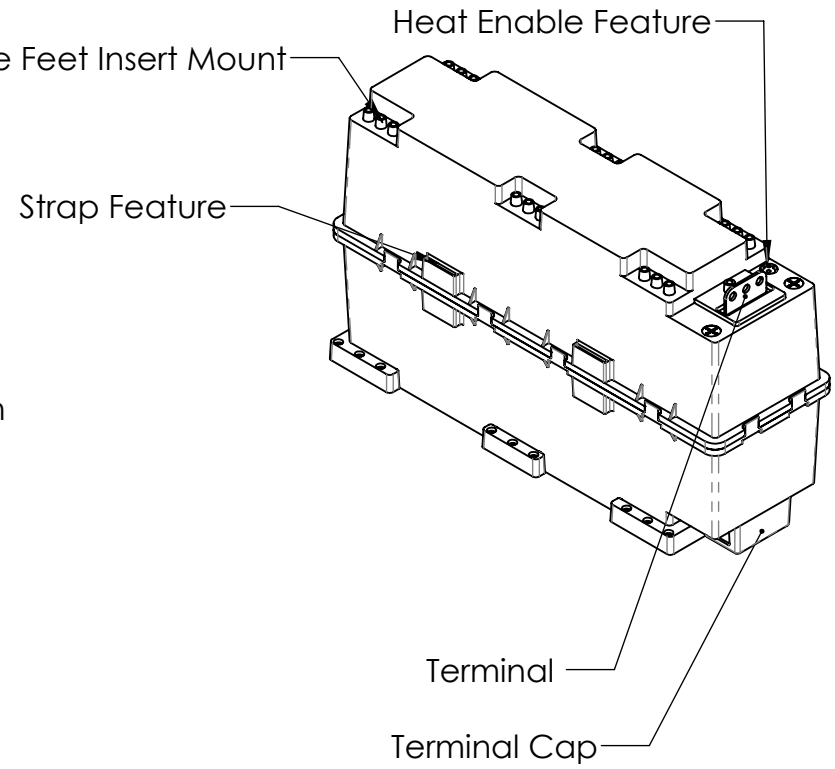
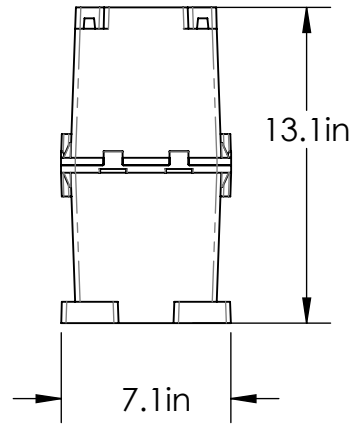
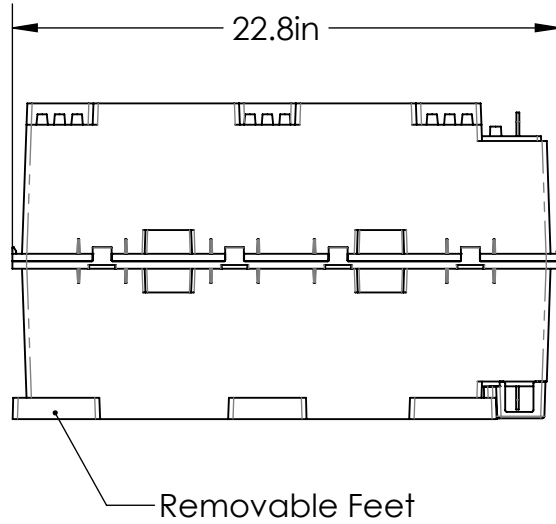


2

1

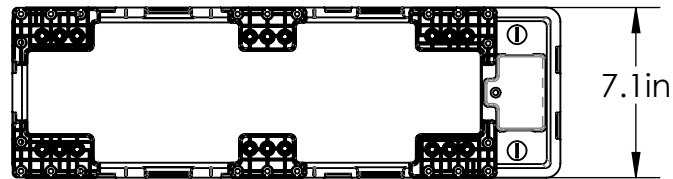
REVISIONS				
ZONE	REV.	DESCRIPTION	DATE	APPROVED
	A	Customer Dimensional Drawings	02/24/2021	

B



B

A



A



PROPRIETARY AND CONFIDENTIAL
 THE INFORMATION CONTAINED IN THIS
 DRAWING IS THE SOLE PROPERTY OF
 DRAGONFLY ENERGY INC. ANY
 REPRODUCTION IN PART OR AS A WHOLE
 WITHOUT THE WRITTEN PERMISSION OF
 DRAGONFLY ENERGY INC IS
 PROHIBITED.

MATERIAL:

FINISH:

DIMENSIONS ARE IN: INCHES

TOLERANCES:

0.X: ±

0.XX: ±

0.XXX: ±

ANGULAR: ±°

**DRAGONFLY ENERGY INC.**

PART NUMBER: GC3

SIZE	DRAWN	CHECKED	DATE	REV
A			2/24/2021	A

SCALE: 1:5

SHEET 1 OF 1

2

1