

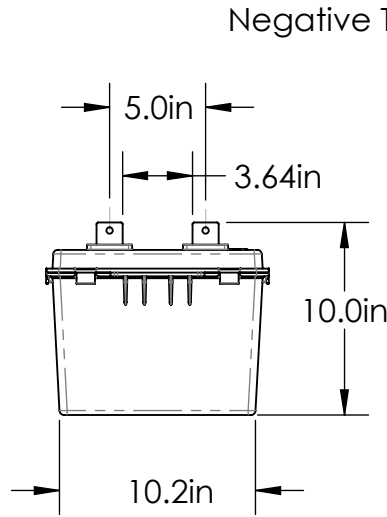
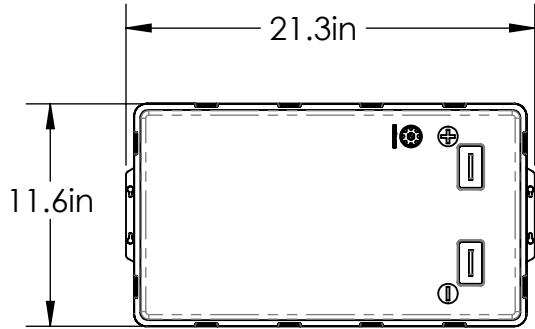
2

1

REVISIONS				
ZONE	REV.	DESCRIPTION	DATE	APPROVED
	A	Customer Dimensional Drawings	02/24/2021	

B

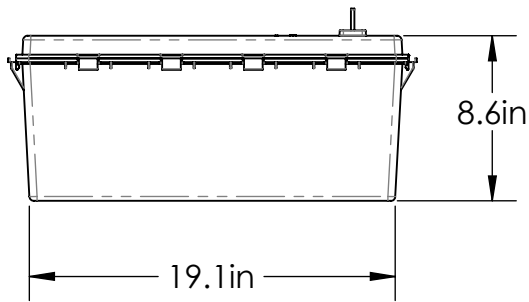
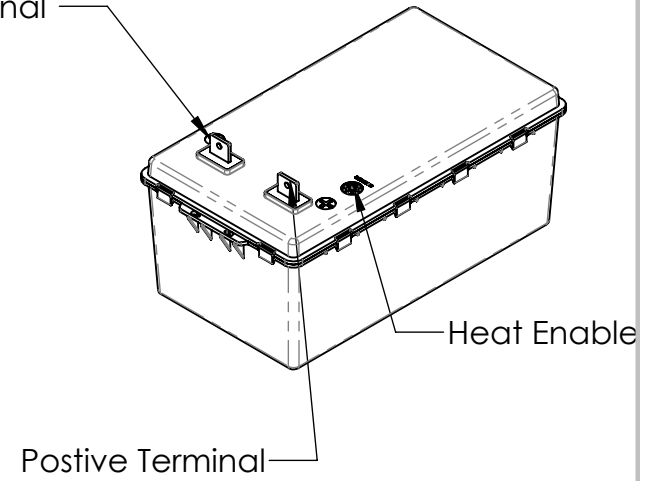
B



Negative Terminal

Postive Terminal

Heat Enable



A

A



PROPRIETARY AND CONFIDENTIAL
 THE INFORMATION CONTAINED IN THIS DRAWING IS THE SOLE PROPERTY OF DRAGONFLY ENERGY INC. ANY REPRODUCTION IN PART OR AS A WHOLE WITHOUT THE WRITTEN PERMISSION OF DRAGONFLY ENERGY INC IS PROHIBITED.

MATERIAL:

FINISH:

DIMENSIONS ARE IN: INCHES
 TOLERANCES:
 0.X: ±
 0.XX: ±
 0.XXX: ±
 ANGULAR: ±°



DRAGONFLY ENERGY INC.
 PART NUMBER: 8D
 SCALE: 1:10
 SHEET 1 OF 1

SIZE A	DRAWN	CHECKED	DATE 2/24/2021	REV A
-----------	-------	---------	-------------------	----------

2

1