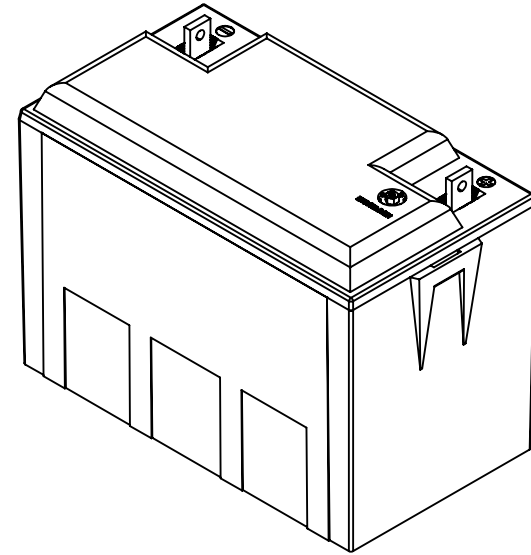
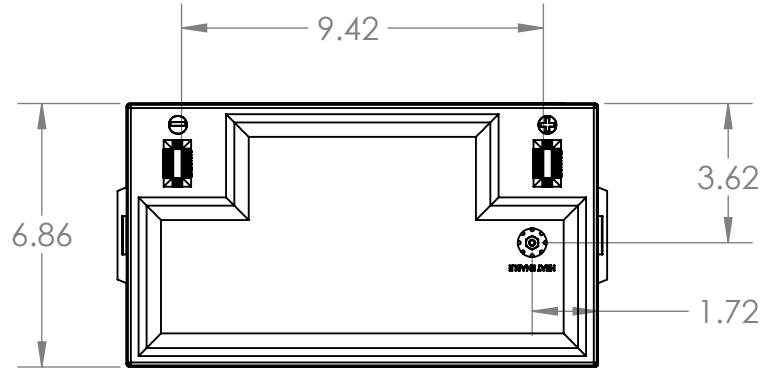


2

1

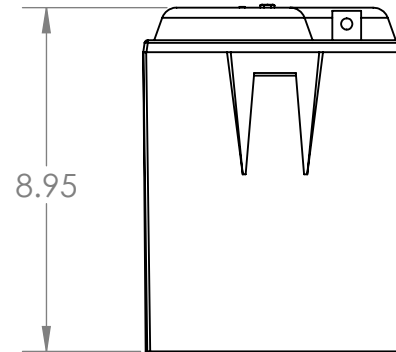
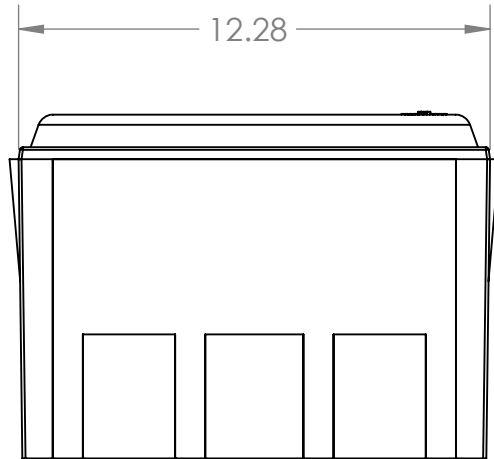
REVISIONS				
ZONE	REV.	DESCRIPTION	DATE	APPROVED

B



B

A



A



PROPRIETARY AND CONFIDENTIAL
 THE INFORMATION CONTAINED IN THIS DRAWING IS THE SOLE PROPERTY OF DRAGONFLY ENERGY INC. ANY REPRODUCTION IN PART OR AS A WHOLE WITHOUT THE WRITTEN PERMISSION OF DRAGONFLY ENERGY INC IS PROHIBITED.

DIMENSIONS ARE IN:
 TOLERANCES:
 0.X: ±
 0.XX: ±
 0.XXX: ±
 ANGULAR: ±



MATERIAL:

FINISH:

DRAWN JH CHECKED

DRAGONFLY ENERGY INC.

PART NUMBER: DF/BB10012H

PART DESCRIPTION:

SIZE	DWG. NO.	REV
A	BB10012H ASSEMBLY.STEP	A

SCALE: 1:5 SHEET 1 OF 1

2

1