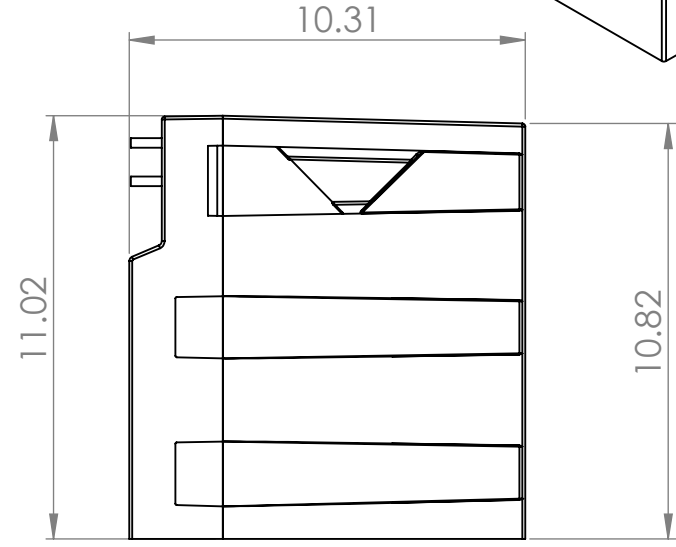
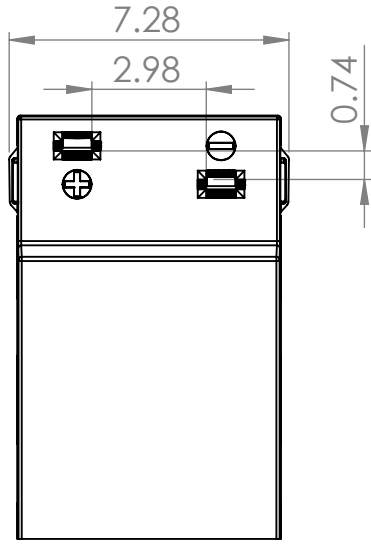
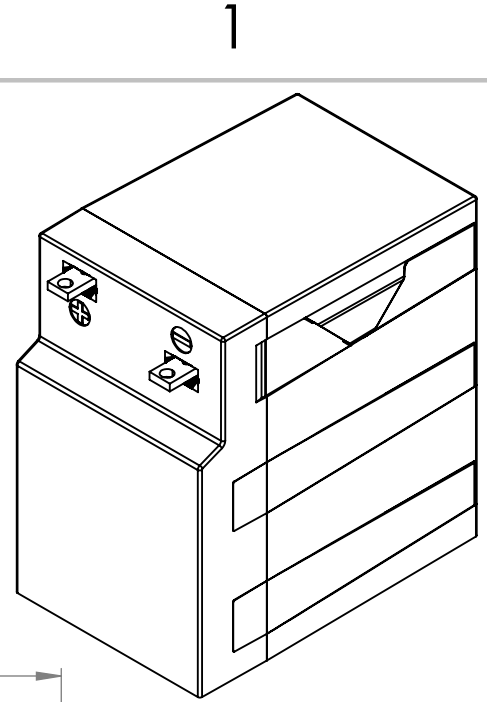
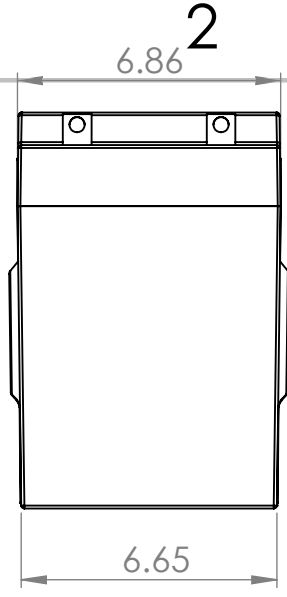


B

B



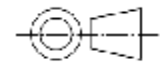
A

A



**PROPRIETARY AND CONFIDENTIAL**  
 THE INFORMATION CONTAINED IN THIS DRAWING IS THE SOLE PROPERTY OF DRAGONFLY ENERGY INC. ANY REPRODUCTION IN PART OR AS A WHOLE WITHOUT THE WRITTEN PERMISSION OF DRAGONFLY ENERGY INC IS PROHIBITED.

DIMENSIONS ARE IN:  
 TOLERANCES:  
 0.X: ±  
 0.XX: ±  
 0.XXX: ±  
 ANGULAR: ±



MATERIAL:  
 FINISH:  
 DRAWN JH CHECKED

**DRAGONFLY ENERGY INC.**

PART NUMBER: BBGC2

PART DESCRIPTION:

SIZE A	DWG. NO.	REV
SCALE: 1:5	SHEET 1 OF 1	

2

1